

Masport[®] Heating

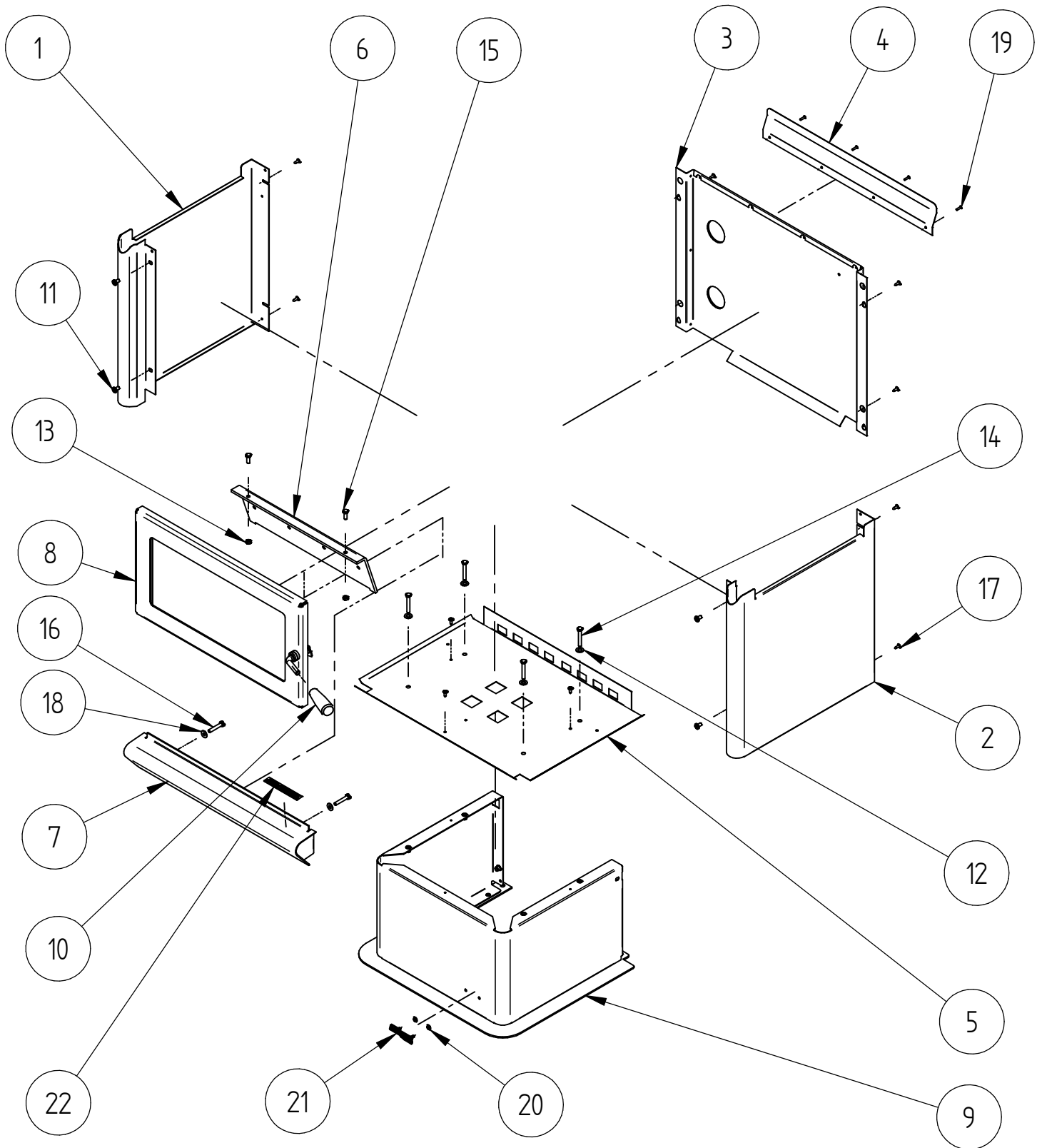
FREESTANDING WOOD FIRES

R1500 - NEW ZEALAND

Item No.	MARKET	FUEL TYPE	FINISH	YEAR	FAN
993925 (PEDESTAL)	NZ	SOFTWOOD	Metallic Black VHT Paint	DEC-2011	No
993928 (RURAL)				JAN-2013	
993929 (LEG)				OCT-2013	
993933 (WOOD STACKER)				APR-2014	



PANELS, DOOR AND PEDESTAL (PEDESTAL)

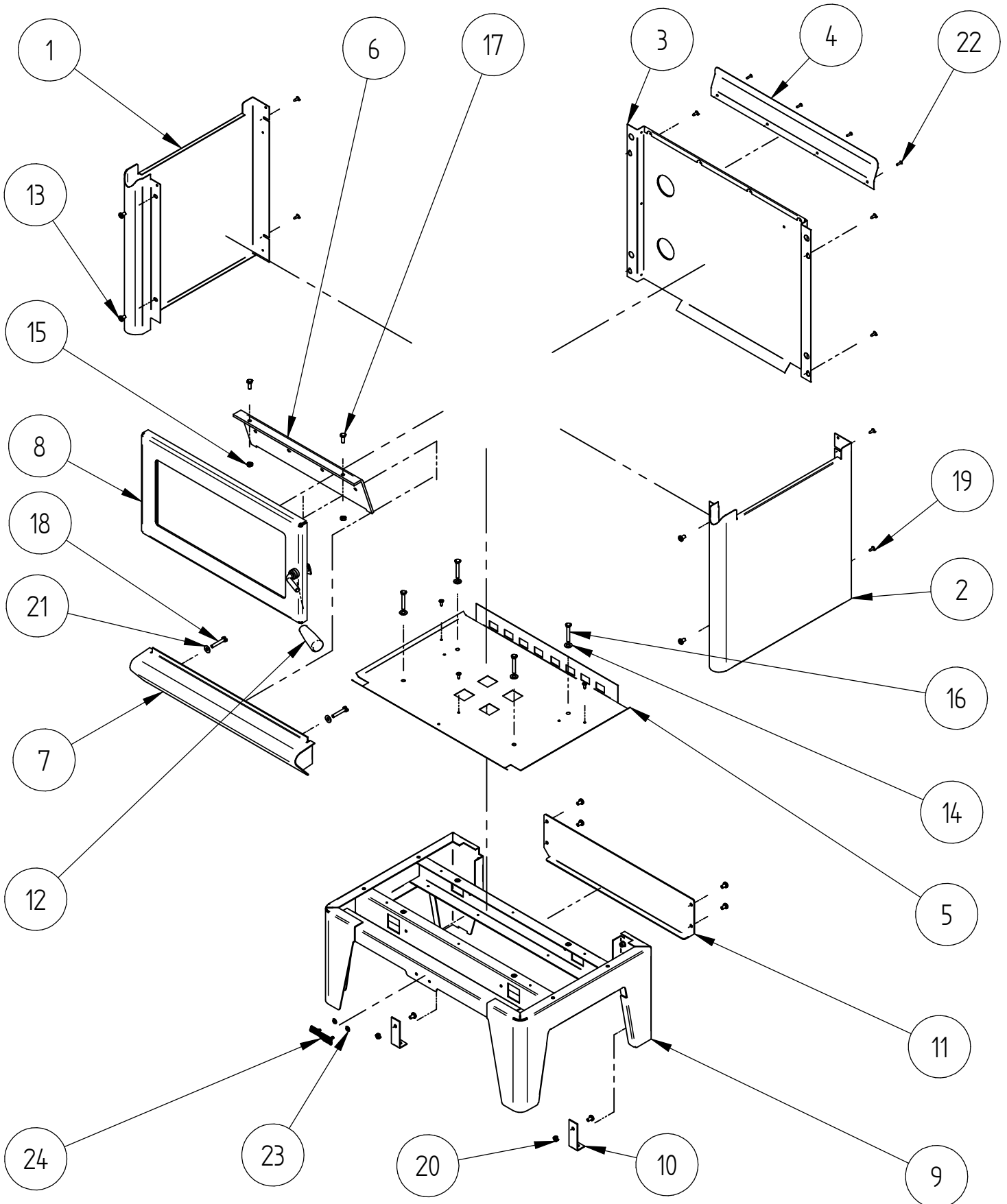


When ordering PLEASE QUOTE PART ID along with Finish Suffix (if applicable)

PANELS, DOOR AND PEDESTAL (PEDESTAL)					
Item	Part ID	Model(s)		Description	Qty
		993925	993928		
1	993756	V02	V02	R1500 SIDE PANEL L/H	1
2	993755	V02	V02	R1500 R/H SIDE PANEL	1
3	993759	-	-	R1500 REAR PANEL	1
4	993770	V02	V02	F1500 REAR H/S PANEL EXTENTION	1
5	993775	-	-	R1500 BASE HEAT SHIELD	1
6	993776	-	-	R1500 F/B BASE AIR DEFLECTOR	1
7	993768	V02	V02	R1500 ASHLIP ASSEMBLY	1
8	993790	V02	V02	R1500 FINISHED DOOR ASSEMBLY	1
9	993783	V02	V02	R1500 PEDESTAL SUB ASSY	1
10	MIC00376	-	-	MIC DOOR HANDLE	1
11	521045	-	-	SCREW; M6X10 PAN POZI BLK	4
12	523019	-	-	WASHER; FLAT 5/16"X5/8"X16G ZP	4
13	522107	-	-	NUT; HEX STD M6 BLK	2
14	521077	-	-	SCREW; M6X40 HEX ZP	4
15	521052	-	-	SCREW; M6X16 HEX BLK	2
16	521060	-	-	SCREW; M6X35 HEX ZP	2
17	521645	-	-	SCREW; S/T 8GX1/2" MUSH FLANGE POZI BLK	11
18	523036	-	-	WASHER; FLAT 1/4"X5/8" BLK	2
19	524003	-	-	RIVET; 73 AS 4-5	4
20	526009	-	-	CLIP; STARLOCK M4	2
21	587835	-	-	BADGE MASPORT HEATING	1
22	595695	-	-	DECAL "BURN ONLY" COMBINED NZ/AUS	1

When ordering PLEASE QUOTE PART ID along with Finish Suffix (if applicable)

PANELS, DOOR AND PEDESTAL (LEG)

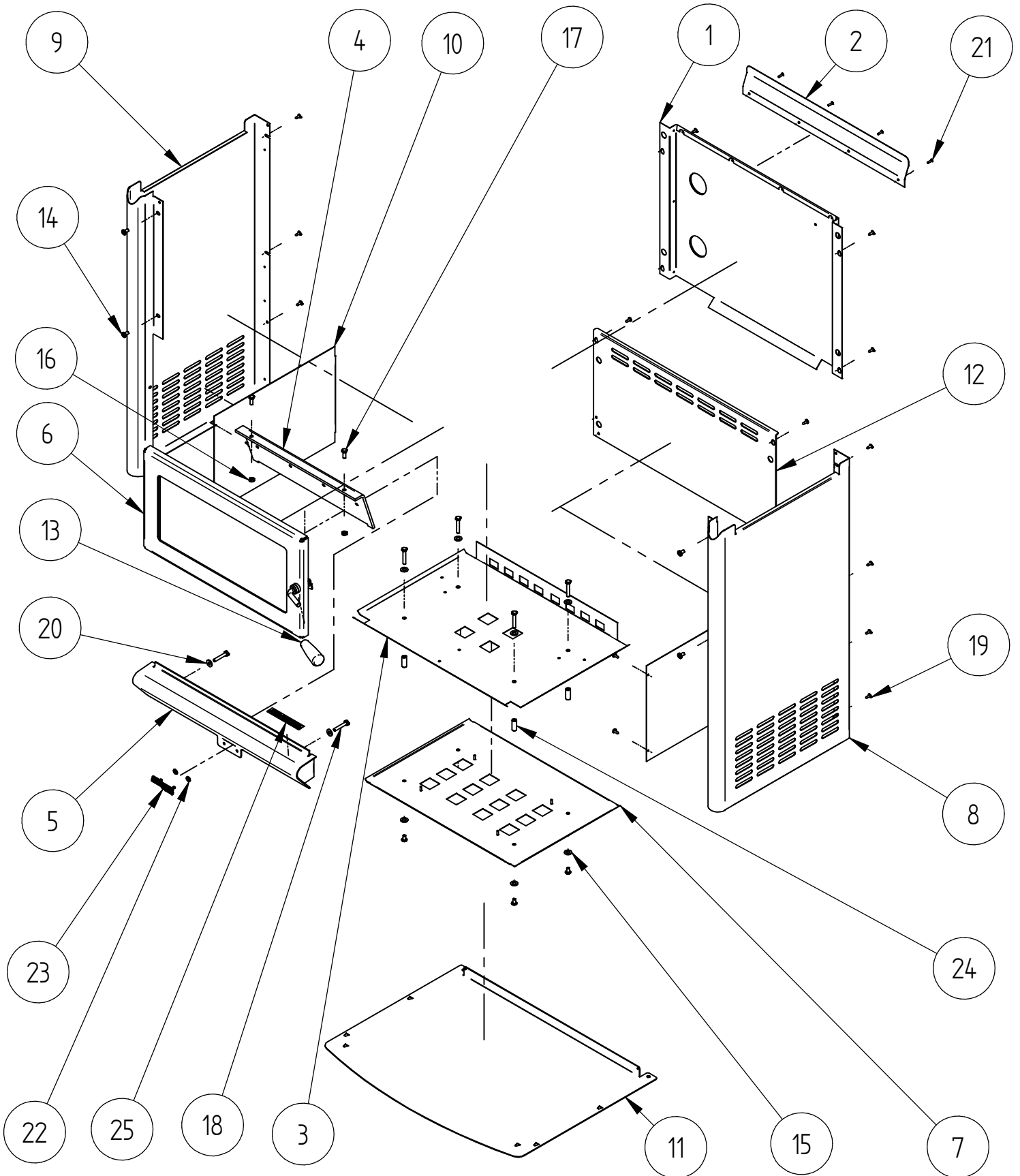


When ordering PLEASE QUOTE PART ID along with Finish Suffix (if applicable)

PANELS, DOOR AND PEDESTAL (LEG)				
Item	Part ID	Model(s)	Description	Qty
		993929		
1	993756	V02	R1500 SIDE PANEL L/H	1
2	993755	V02	R1500 R/H SIDE PANEL	1
3	993759	-	R1500 REAR PANEL	1
4	993770	V02	F1500 REAR H/S PANEL EXTENTION	1
5	993775	-	R1500 BASE HEAT SHIELD	1
6	993776	-	R1500 F/B BASE AIR DEFLECTOR	1
7	993768	V02	R1500 ASHLIP ASSEMBLY	1
8	993790	V02	R1500 FINISHED DOOR ASSEMBLY	1
9	993811	V02	R1500 LEGS ASSEMBLY	1
10	MIR00179	-	MIR SIEMIC BRACKET	2
11	993843	V02	R1500 LEGS REAR BRACE	1
12	MIC00376	-	MIC DOOR HANDLE	1
13	521045	-	SCREW; M6X10 PAN POZI BLK	10
14	523019	-	WASHER; FLAT 5/16"X5/8"X16G ZP	4
15	522107	-	NUT; HEX STD M6 BLK	2
16	521077	-	SCREW; M6X40 HEX ZP	4
17	521052	-	SCREW; M6X16 HEX BLK	2
18	521060	-	SCREW; M6X35 HEX ZP	2
19	521645	-	SCREW; S/T 8GX1/2" MUSH FLANGE POZI BLK	11
20	522117	-	NUT; HEX STD M6 ZP	2
21	523036	-	WASHER; FLAT 1/4"X5/8" BLK	2
22	524003	-	RIVET; 73 AS 4-5	4
23	526009	-	CLIP; STARLOCK M4	2
24	587835	-	BADGE MASPORT HEATING	1

When ordering PLEASE QUOTE PART ID along with Finish Suffix (if applicable)

PANELS, DOOR AND PEDESTAL (WOOD STACKER)

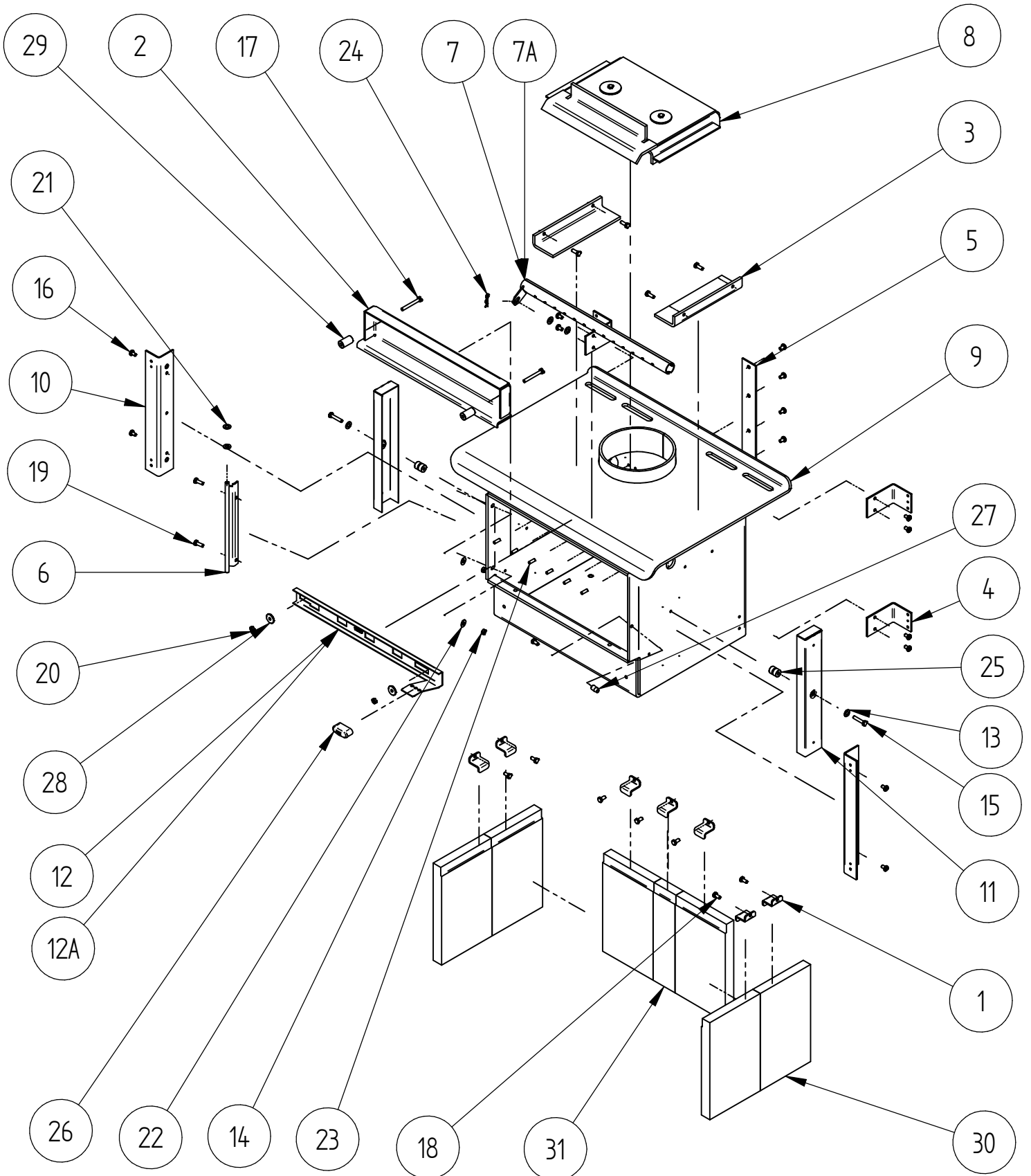


When ordering PLEASE QUOTE PART ID along with Finish Suffix (if applicable)

PANELS, DOOR AND PEDESTAL (WOOD STACKER)				
Item	Part ID	Model(s)	Description	Qty
		993933		
1	993759	-	R1500 REAR PANEL	1
2	993770	V02	F1500 REAR H/S PANEL EXTENTION	1
3	993775	-	R1500 BASE HEAT SHIELD	1
4	993776	-	R1500 F/B BASE AIR DEFLECTOR	1
5	993810	V02	R1500 ASHLIP ASSEMBLY	1
6	993790	V02	R1500 FINISHED DOOR ASSEMBLY	1
7	993844	V02	R1500WS LOWER HEATSHIELD ASSY	1
8	993837	V02	R1500WS SIDE PANEL R/H	1
9	993838	V02	R1500WS SIDE PANEL L/H	1
10	993839	P02	R1500WS INNER SIDE PANEL	2
11	993840	P02	R1500WS BASE PANEL	1
12	993842	P02	R1500WS REAR PANEL	1
13	MIC00376	-	MIC DOOR HANDLE	1
14	521045	-	SCREW; M6X10 PAN POZI BLK	8
15	523019	-	WASHER; FLAT 5/16"X5/8"X16G ZP	8
16	522107	-	NUT; HEX STD M6 BLK	2
17	521052	-	SCREW; M6X16 HEX BLK	2
18	521060	-	SCREW; M6X35 HEX ZP	6
19	521645	-	SCREW; S/T 8GX1/2" MUSH FLANGE POZI BLK	22
20	523036	-	WASHER; FLAT 1/4"X5/8" BLK	2
21	524003	-	RIVET; 73 AS 4-5	4
22	526009	-	CLIP; STARLOCK M4	2
23	587835	-	BADGE MASPORT HEATING	1
24	593556	-	R1500WS BUSH	4
25	595695	-	DECAL "BURN ONLY" COMBINED NZ/AUS	1

When ordering PLEASE QUOTE PART ID along with Finish Suffix (if applicable)

AIRSLIDE, BAFFLE, BRICKS AND FIREBOX



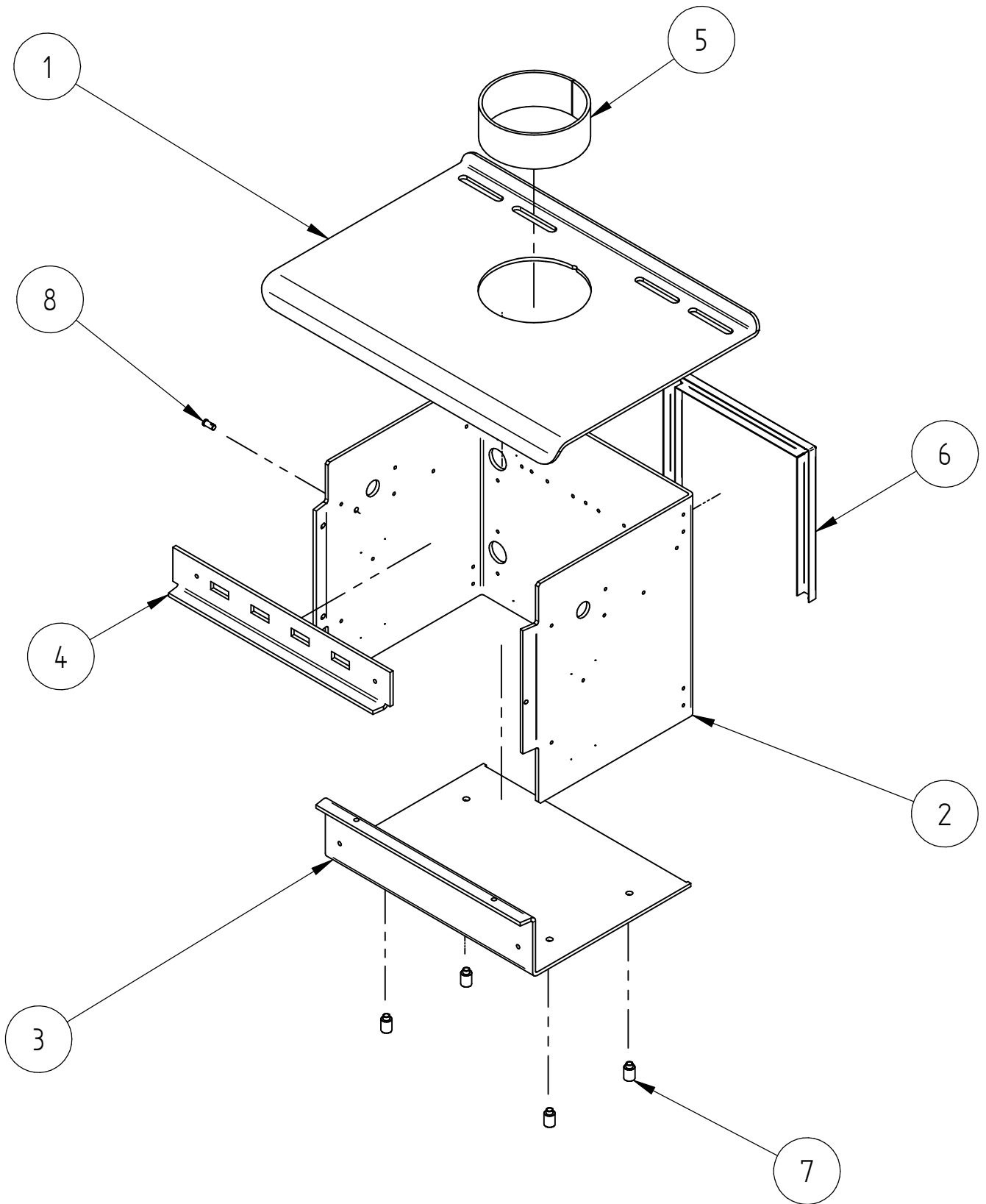
When ordering PLEASE QUOTE PART ID along with Finish Suffix (if applicable)

AIRSLIDE, BAFFLE, BRICKS AND FIREBOX							
Item	Part ID	Model(s)				Description	Qty
		993925	993928	993929	993933		
1	HBA00118	-	-	-	-	HBA BRICK RETAINER	7
2	MIC00102	-	-	-	-	MIC AIR DEFLECTOR	1
3	MIC00116	-	-	-	-	MIC BAFFLE SUPPORTS	2
4	MIC00130	-	-	-	-	MIC REAR BODY MOUNT BRKT	4
5	MIC00135	-	-	-	-	MIC WET BACK COVER PLATE	1
6	MICAC190	-	-	-	-	MIC DOOR HINGE ASSEMBLY	1
7	993777	-	-N/A-	-	-	R1500 AIR BAR ASSEMBLY	1
7A	993804	-N/A-	-	-N/A-	-N/A-	R1500 RURAL AIR BAR ASSEMBLY	1
8	993773	-	-	-	-	R1500 BAFFLE SUB ASSEMBLY	1
9	993750	-	-	-	-	R1500 F/B ASSY NZ	1
10	MIR00183	-	-	-	-	MIR DOOR RIDDLE	2
11	MIC00123	-	-	-	-	MIC SEC AIR CHANNEL	2
12	993769	-	-N/A-	-	-	R1500 AIRSLIDE	1
12A	993803	-N/A-	-	-N/A-	-N/A-	R1500 RURAL AIRSLIDE	1
13	523019	-	-	-	-	WASHER; FLAT 5/16"X5/8"X16G ZP	4
14	522107	-	-	-	-	NUT; HEX STD M6 BLK	2
15	521059	-	-	-	-	SCREW; M6X30 HEX ZP	2
16	521046	-	-	-	-	SCREW; M6X10 PAN POZI ZP	16
17	521061	-	-	-	-	SCREW; M6X50 HEX ZP	2
18	521075	-	-	-	-	SCREW; M6X12 HEX ZP	8
19	521076	-	-	-	-	SCREW; M6X16 HEX ZP	6
20	522117	-	-	-	-	NUT; HEX STD M6 ZP	2
21	523018	-	-	-	-	WASHER; FLAT 5/16"X5/8" BLK	2
22	523036	-	-	-	-	WASHER; FLAT 1/4"X5/8" BLK	2
23	525002	-	-	-	-	PIN; TENSION 5X16 BLK	6
24	526101	-	-	-	-	CLIP; R-CLIP 1.8 DIA ST	1
25	HBA00129	-	-	-	-	HBA AIR DEFLECTOR SPACER	2
26	593568	-	-	-	-	AIR SLIDE KNOB PUSH ON	1
27	MIC00079	-	-	-	-	LOGAIRE CATCH PIN	1
28	MIC00083	-	-	-	-	LOGAIRE METRO AIR SLIDE SPACER	2
29	MIC00129	-	-	-	-	MIC AIR DEFLECTOR BUSH	2
30	MIC00354	-	-	-	-	MIC BRICK	6
31	MIC00355	-	-	-	-	MIC BRICK HALF	1

*Optional Sale Kit

When ordering PLEASE QUOTE PART ID along with Finish Suffix (if applicable)

FIREBOX DETAILS

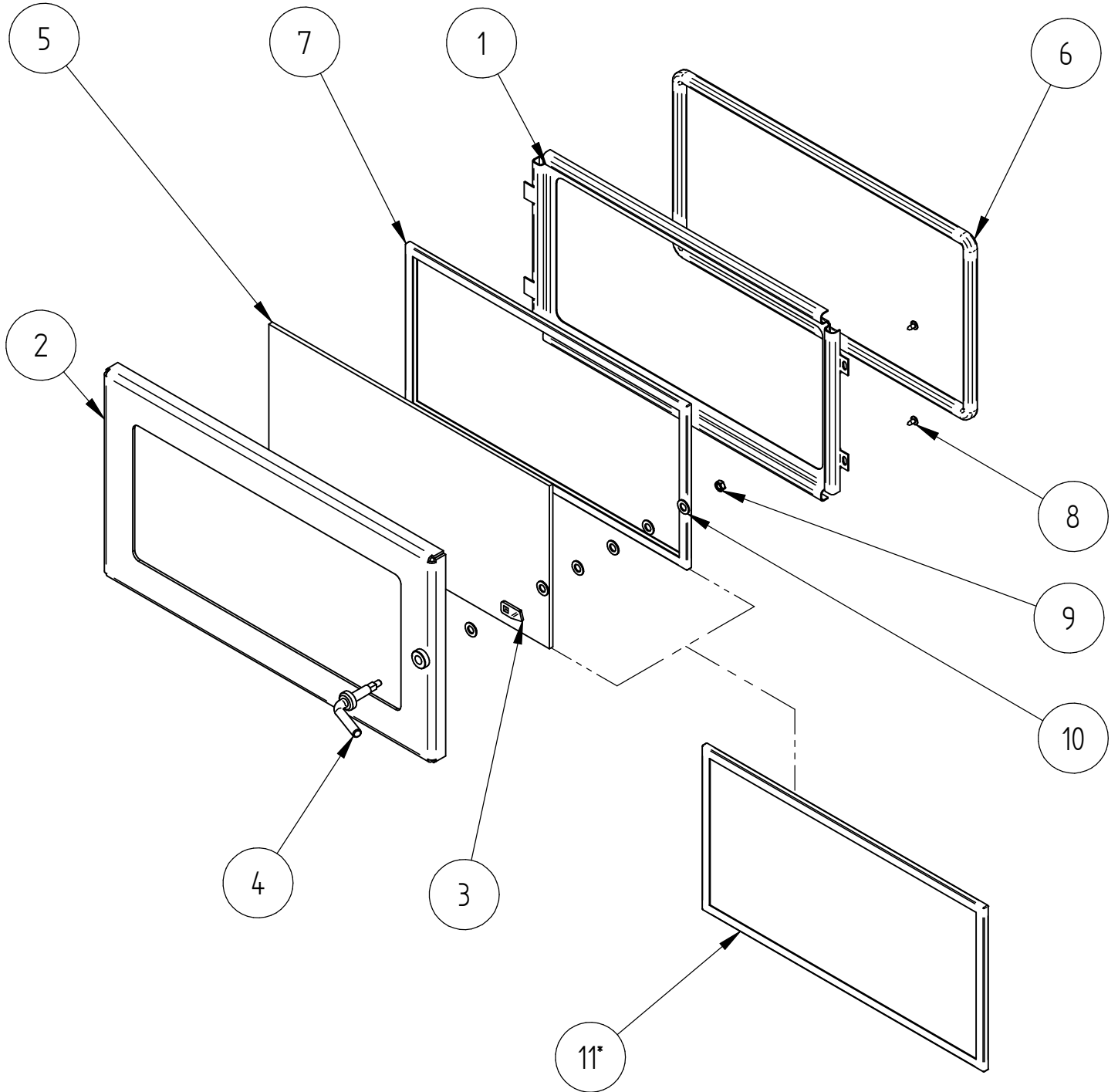


When ordering PLEASE QUOTE PART ID along with Finish Suffix (if applicable)

FIREBOX DETAILS: 993750							
Item	Part ID	Model(s)				Description	Qty
		993925	993928	993929	993933		
1	993751	-	-	-	-	R1500 F/B COOK TOP	1
2	993753	-	-	-	-	R1500 F/B WRAP	1
3	993754	-	-	-	-	R1500 F/B BOTTOM	1
4	993752	-	-	-	-	R1500 F/B TOP FRONT	1
5	MIC00120	-	-	-	-	MIC SPIGOT	1
6	MIR00219	-	-	-	-	MIR REAR HEAT CHANNEL	1
7	MET00429	-	-	-	-	FIREBOX BUSH - SPIGOTED	4
8	MIC00137	-	-	-	-	MIC AIRBAR PIN	1

When ordering PLEASE QUOTE PART ID along with Finish Suffix (if applicable)

DOOR ASSEMBLY



When ordering PLEASE QUOTE PART ID along with Finish Suffix (if applicable)

DOOR ASSEMBLY							
Item	Part ID	Model(s)				Description	Qty
		993925	993928	993929	993933		
		993790V02					
1	MIC00034	-	-	-	-	MIC GLASS RETAINER	1
2	MWSAC030	V02	V02	V02	V02	MWS DOOR FRAME COMPLETE SUB ASSEMBLY	1
3	MIC00133	-	-	-	-	MIC DOOR LATCH PLATE	1
4	MIC00373	-	-	-	-	DOOR SPINDLE	1
5	MIC00204	-	-	-	-	MIC GLASS	1
6	E13MMDR	-	-	-	-	DOOR ROPE	1
7	E25MMLT	-	-	-	-	LADDER TAPE 25x3x50m ROLL (MTR)	1
8	521627	-	-	-	-	SCREW; S/T 8GX3/8" MUSH FLANGE POZI BLK	2
9	522117	-	-	-	-	NUT; HEX STD M6 ZP	1
10	523018	-	-	-	-	WASHER; FLAT 5/16"X5/8" BLK	6
11*	MICAC204	-	-	-	-	DOOR GLASS KIT	1

*Optional Sale Kit

NOT ILLUSTRATED							
Item	Part ID	Model(s)				Description	Qty
		993925	993928	993929	993933		
1	593286	-	-	-	-	OWNER MANUAL WOODFIRES	1
2	593287	-	-	-	-	INSTALL MANUAL WOODFIRES	1
3	593791	-	-	-	-N/A.-	R1500 INSTALLATION DATA SHEET	1
4	593845	-N/A.-	-N/A.-	-N/A.-	-	R1500WS SW & HW DATA SHEET	1
5	593794	-	-	-	-	INSTRUCTION - BRICK LAYOUT	1

SURFACE FINISH CODES FOR PANELS						
VITREOUS ENAMEL		VHT PAINT(Very High Temp)			POWDER COAT	
E01	MATT BLACK	V02	P-000022	METALLIC BLACK	P02	MATT BLACK
E02	GLOSS BLACK	V03	P-000043	CHARCOAL	P03	CHARCOAL
E03	CHARCOAL	V04	P-000081	TITANIUM	P05	SATIN BLACK
		V05	P-000051	CHARCOAL (DAM MET BLK)	P09	METTALIC BLACK
		V06	P-000052	METALLIC BLACK ZINC		

LESS FREQUENTLY OR OLD SURFACE FINISH CODES FOR PANELS						
VITREOUS ENAMEL		VHT PAINT(Very High Temp)			POWDER COAT	
E04	JASMINE	V01		SATIN BLACK HIGH TEMP	P01	BLUE/BLACK
					P04	GLOSS CHARCOAL
					P07	FLAT BLACK

When ordering PLEASE QUOTE PART ID along with Finish Suffix (if applicable)